

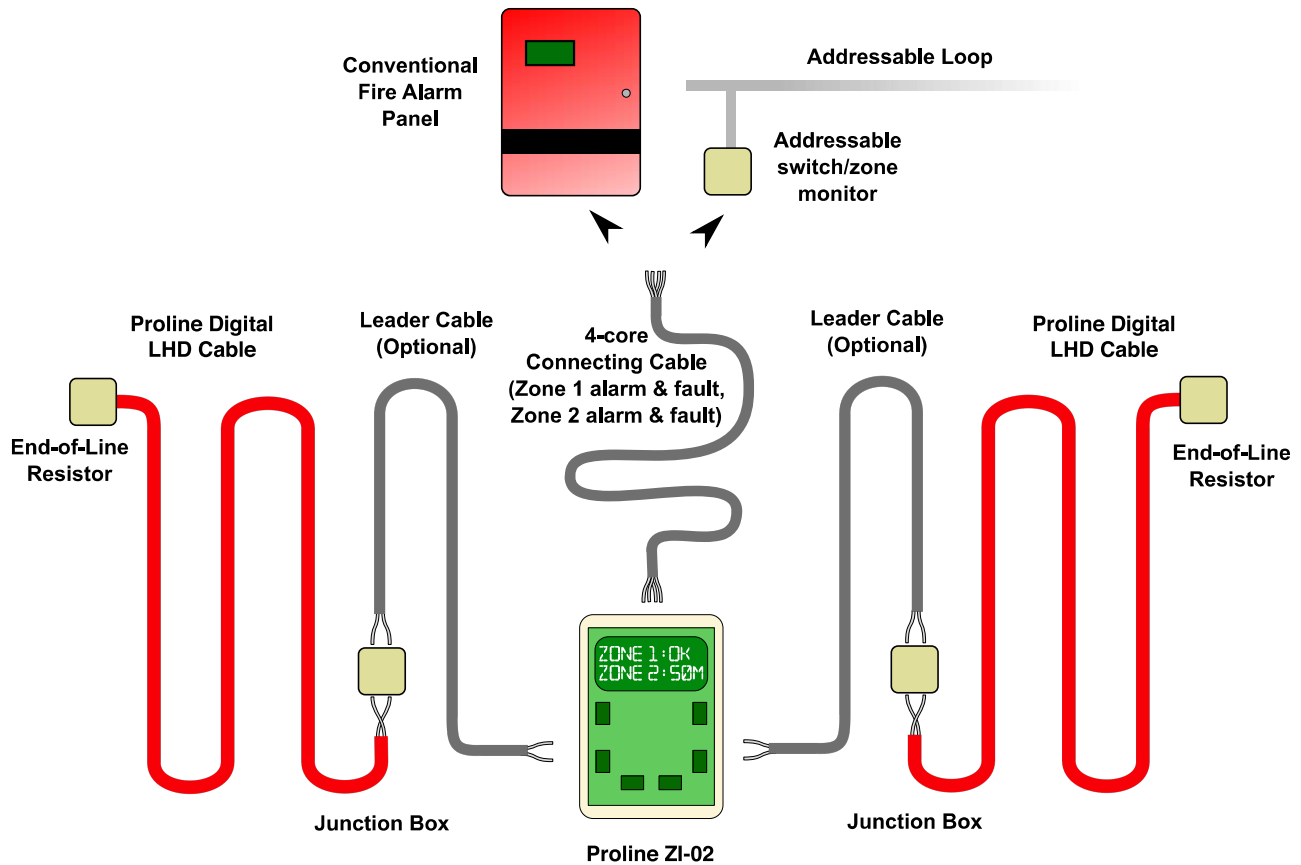
Proline ZI-02 Control Unit

General Overview

ZI-02 Control Unit

The Proline ZI-02 is a dual zone module for monitoring up to two zones of Proline Digital Linear Heat Detection (LHD) Cable. If an overheat or fire situation triggers either zone of the Digital LHD cable the unit automatically calculates and displays the distance along the cable, in feet and metres, to the alarm point. The two zones can operate independently of each other, or in interlock mode and a separate alarm and normally

conducting fault output are provided for each zone. The unit is intended to be installed between the Digital Linear Heat Detection cable and a conventional or addressable fire alarm control panel. It has power, fault and alarm lights, as well as volt free outputs for fault and alarm, corresponding to each zone. It may also be connected to a industrial process control system using the two wire RS-485 Modbus RTU/ ASCII output.



(Power supply & Modbus connections not shown)

Figure 1: Typical Installation of the Proline ZI-02

