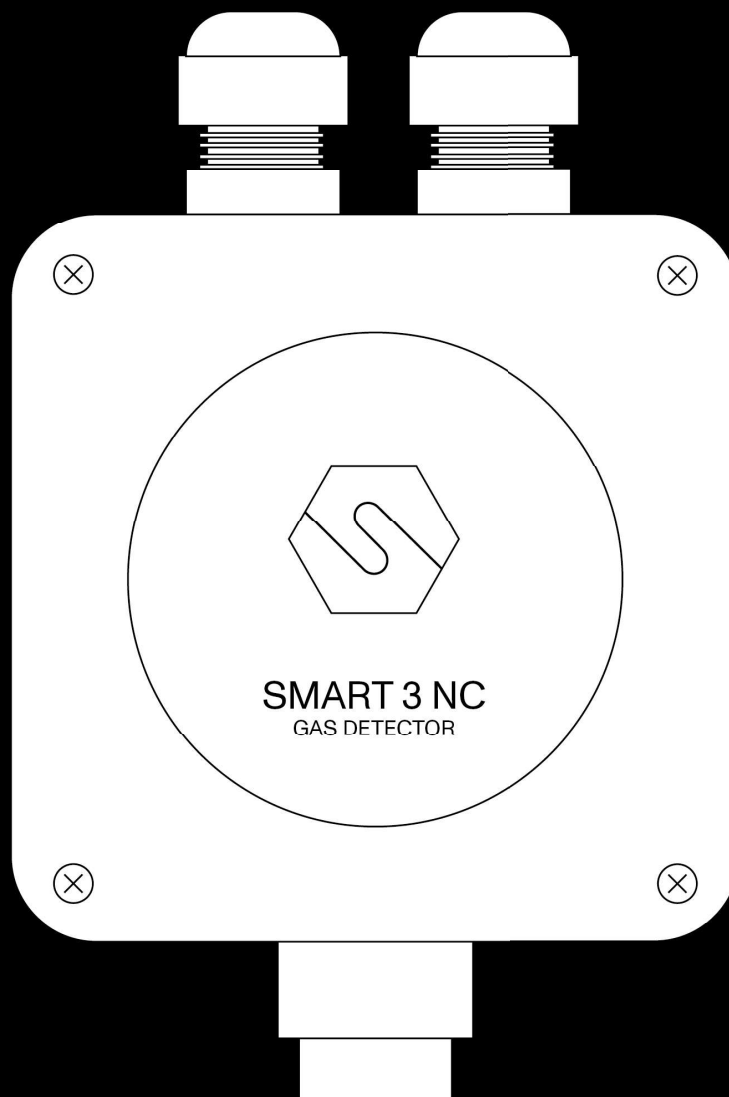


# SMART 3 NC

With infrared sensor



Datasheet





SMART3 NC gas detector is designed to be installed in non-classified area and car parks. The sensing element is placed in an aluminum enclosure. SMART3 NC is equipped with an infrared sensor for carbon dioxide gas detection. The gas detector has a 12-24 Vdc power supply and a standard 4-20 mA 3-wires output. Optionally, the SMART3 NC can be equipped with serial RS485 communication and a 1 or 3 relays board. The plastic enclosure has dimensions 106 x 160 x 54 mm, on the upper side there're two M20 cable glands.

Sensor	
Application	Car parks, laboratories and non-classified areas
Sensing element	Infrared
Predicted sensor lifetime	4 / 5 years
Gas detected	CO <sub>2</sub>
Fullscale	0 - 5000 ppm
Electrical data	
Power supply	12-24 Vdc
Output	Analogue 4-20 mA output; 1 or 3 relay board (optional); serial RS485 output (optional)
Absorption	77 mA
Relays contact ratings (on the optional board)	1.0 A at 30 Vdc
Optical indications	-
Acoustic indications	-
Hall effect sensor	-
Environmental conditions	
Storage temperature	-20 / +60°C
Operating temperature	-20 / +60°C
Operating humidity	0 / 90% RH
Compliance	
EMC	EN 61000-6-3:2007 + A1:2011; EN 50270:2015



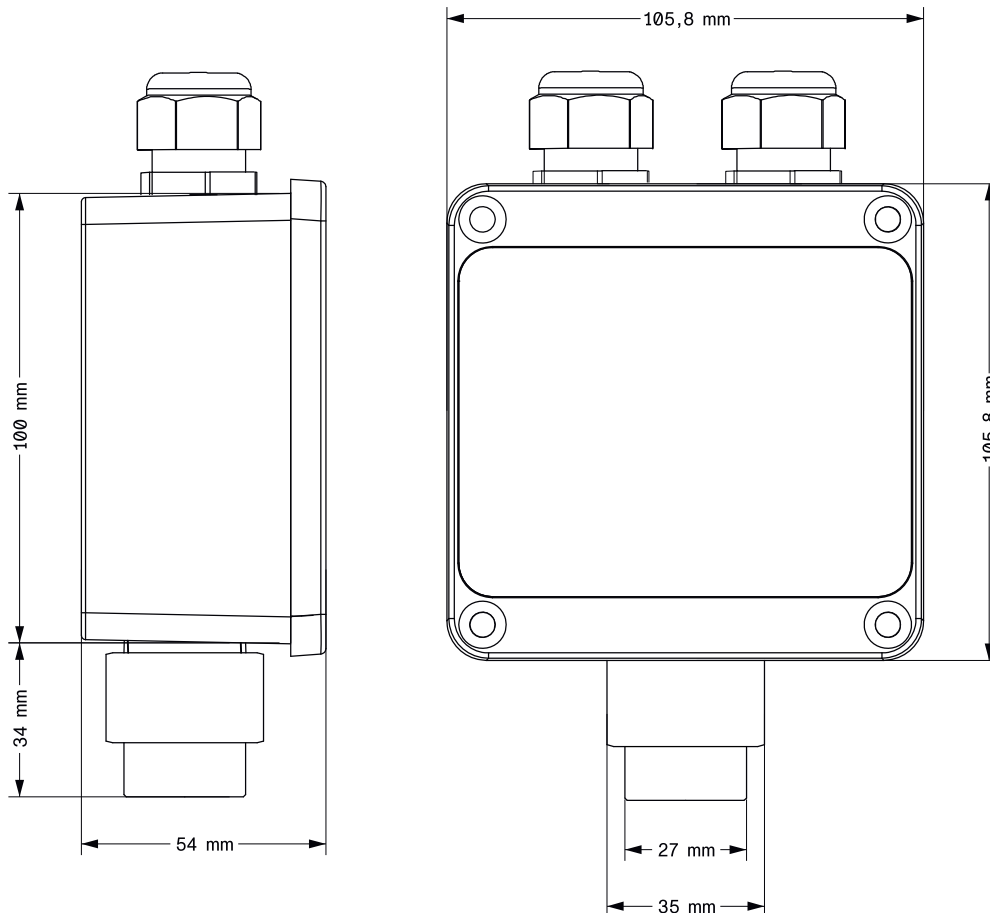
## External case

Material	Enclosure: Polycarbonate Sensor head: Aluminum
Dimensions	Box: 100 x 100 x 52 mm Cover: 105.8 x 105.8 x 7.8 mm
Weight	250 g
Cable entries	2 x M20
IP grade	IP55

## Product codes

S2401CO2	Carbon dioxide gas detector 0-5000 ppm
----------	--

## Mechanical drawings



Distributor/Distributeur ORNICOM

+32 477 23 76 79  
[sales@ornicom.com](mailto:sales@ornicom.com)  
[www.ornicom.com](http://www.ornicom.com)

