

SOR-876

VARIABLE DIRECTION STAND

for IR Flame Detector RIV-601P/F

Description

The Variable Direction Stand SOR-876 is a useful accessory for installing IR Flame Detector RIV-601P/F when an easy change of direction of the optical field of view toward the area of interest is needed.

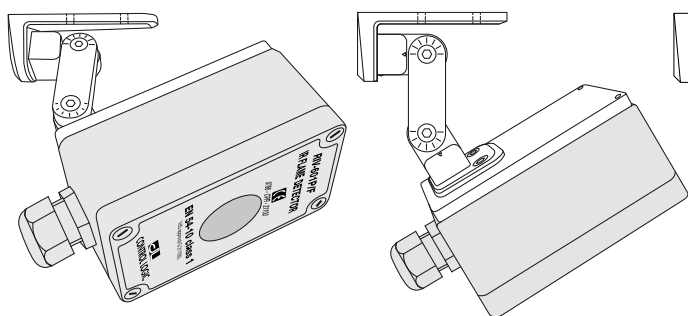
It is composed of a steering arm fully adjustable on all axes and of a base plate designed for IR Flame Detector RIV-601P/F mounting. Both the steering arm and the base plate are made of aluminium, screw parts are of stainless steel, and can be used in outdoor applications.

Specifications

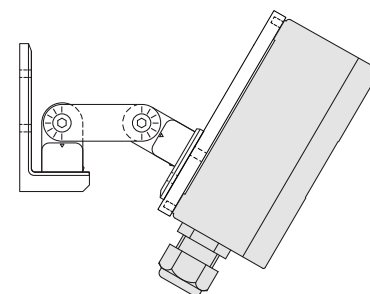
- Multiple adjustable on all axes with 4 joints
- Wall and ceiling mounting
- Steering arm material: die-cast aluminium powder coated black paint
- Base plate material: aluminium powder coated black paint
- Packaging 155x145x120mm containing:
 - 1 steering arm complete with base plate
 - 4 screws M4x25 with washers for Flame Detector mounting
 - 1 hex key
 - 1 datasheet
- Total weight kg 0.7 net – kg 0.8 gross



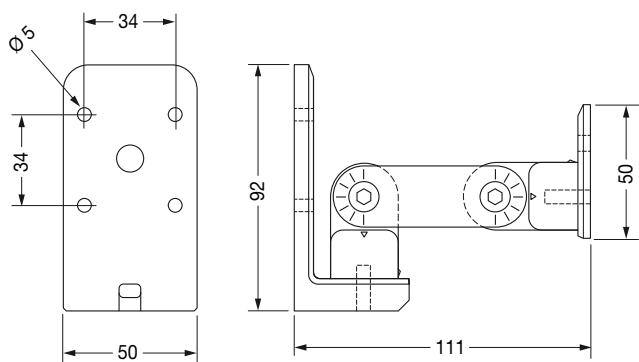
Ceiling mounting



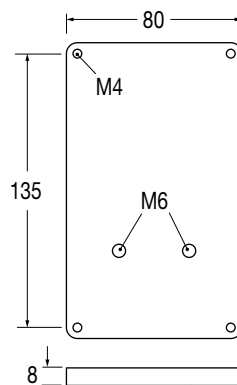
Wall mounting



Mechanical dimensions (mm)



Steering arm



Base plate

Plate adjustment screw

